



Installation

1. Using the tape in the EnergyOT sensor, center and paste it on over the LED of your energy meter. The one that indicates the impulses per kWh. Check below an example of the location of this LED;

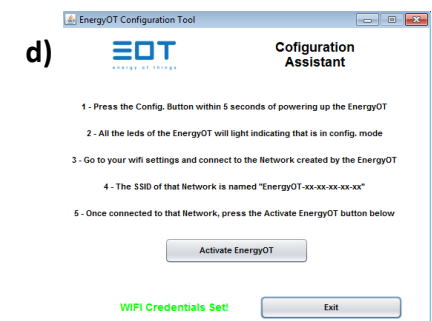
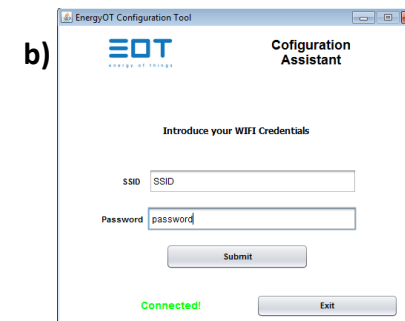
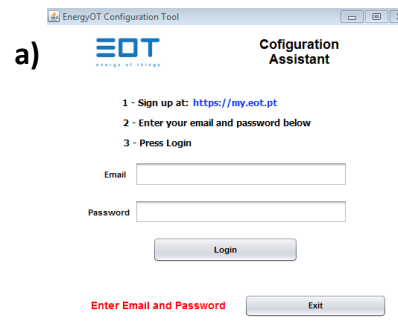


Localization of the "Imp/kWh" LED where the EnergyOT should be placed.

2. Place the EnergyOT in a suitable place for you, but try to place it facing forward in order to be able to see the LEDs and enter the configuration button;
3. Connect the micro USB power to the EnergyOT and the green LED should light indicating that it is powered;
4. In addition, if the device is new, the blue LED should be on and the red should be flashing. Do not be alarmed, this is only an indication that the device is new and is not yet configured for a wireless network. To configure it, see the Operation section;
5. If you are having trouble installing check the "problem solving" section of the manual or contact the support team.

Operation

1. You must register in the my.eot.pt platform before starting the device configuration.
2. Plug the micro USB to the EnergyOT device in order to power it.
3. You have 5 seconds from the moment you power the EnergyOT to press the configuration button.
4. All LEDs will light up (green, blue and red) indicating that the device is now in configuration mode (If by any chance you have not been able to press the Config. button within the 5 second limit switch it off, turn it on and try again) .
5. Download the configuration tool that best suit the platform that will use (Windows, Mac, Linux or Android) in www.eot.pt/en/downloads.html.
6. Follow the instructions of the configuration tools. Briefly these applications will point you to:
 - a. Login in the application with the email and password of your account in the my.eot.pt platform and choose to activate a new EnergyOT;
 - b. Enter the SSID and password of your wireless network.
 - c. After you have entered all the parameters change your wireless network and connect to the network generated by the EnergyOT (the SSID of the network is EnergyOT xx-xx-xx-xx).
 - d. Make sure that at this stage your computer is connected to the EnergyOT (EnergyOT xx-xx-xx-xx), and click "Configure EnergyOT". Congratulations! Now you can check your data online.

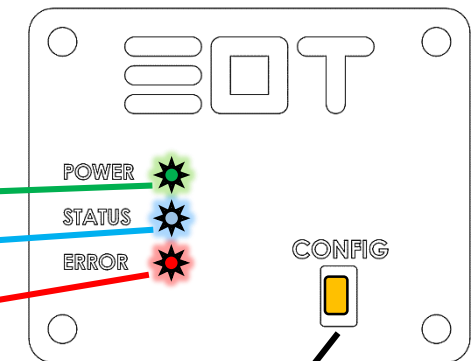


Power Led – Indicates if the device is powered.

Status Led – Blinks accordingly with the energy consumption.

Error Led – Indicates the existence of errors.

Configuration Button – To configure your EnergyOT





OPTIC

Description

The EnergyOT optic is a development device that measures the energy consumption of your home or business using an optical sensor that is glued to your energy meter, on top of the LED that indicates the Pulses/kWh. Once installed and configured this device reads, processes and sends the power consumption directly to your account in the cloud.

The EnergyOT uses the my.eot.pt platform to collect data and give you direct and real-time access to your energy consumption.

Content of the Box



- The EnergyOT Optic device.
- Sensor with installation accessory.
- Documentation for installation and configuration.

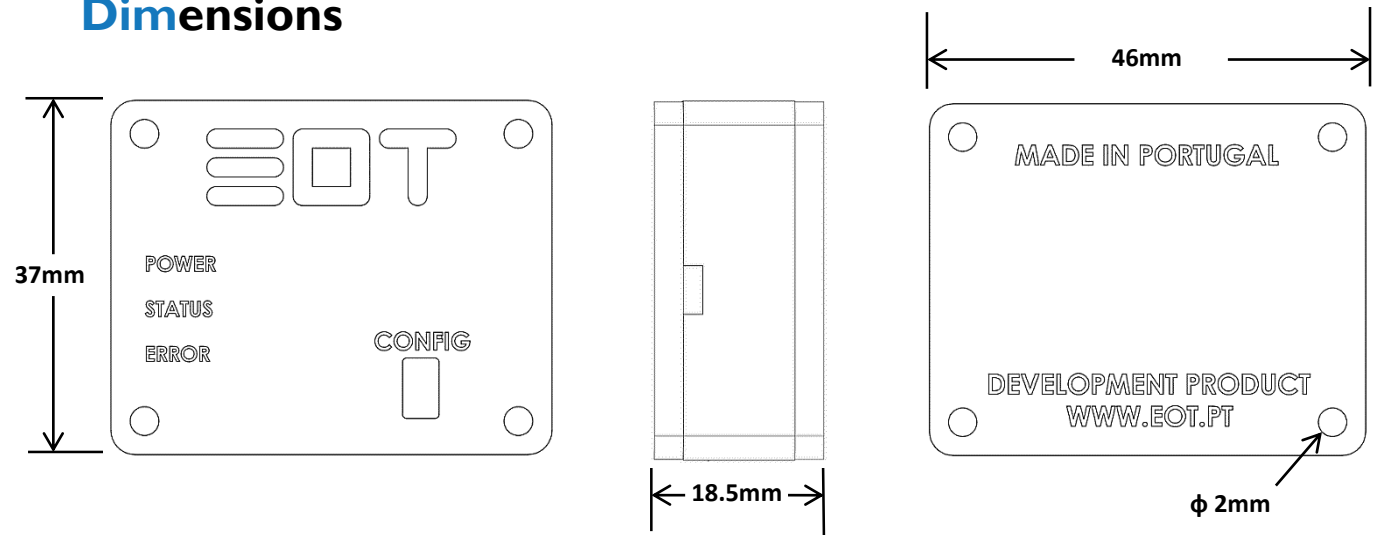
Specifications

- Dimensions: 37 mm (L) x 46 mm (W) x 18.5 mm (H)
- Wi-Fi 802.11 b/g/n 2.4 GHz
- Work temperature: -25°C to 50°C
- Storage temperature: -10°C to 60°C
- Relative humidity: 80%, 0°C to 40°C
- Work altitude: 0 to 2.000 meters
- Weight: 20g
- Enclosure Material: PLA and acrylic

Maintenance

- Clean only the outside with a dry cloth.
- Do not use abrasive agents, abrasive glues or solvents.
- Glue the device to the energy meter only with nonconductive tapes.
- Check the troubleshoot section or contact the support team before trying to manually fix a nonfunctioning device

Dimensions



The information in this document is subject to change without notice and does not represent a commitment on the part of the vendor. No warranty or representation, either expressed or implied, is made with respect to the quality, accuracy or fitness for any particular purpose of this document. The manufacturer reserves the right to make changes to the content of this document and/or the products associated with it at any time without obligation to notify any person or organization of such changes. In no event will the manufacturer be liable for direct, indirect, special, incidental or consequential damages arising out of the use or inability to use this product or documentation, even if advised of the possibility of such damages. This document contains materials protected by copyright. All rights are reserved. No part of this manual may be reproduced or transmitted in any form, by any means or for any purpose without expressed written consent of its authors. Product names appearing in this document are mentioned for identification purchases only. All trademarks, product names or brand names appearing in this document are registered property of their respective owners.